

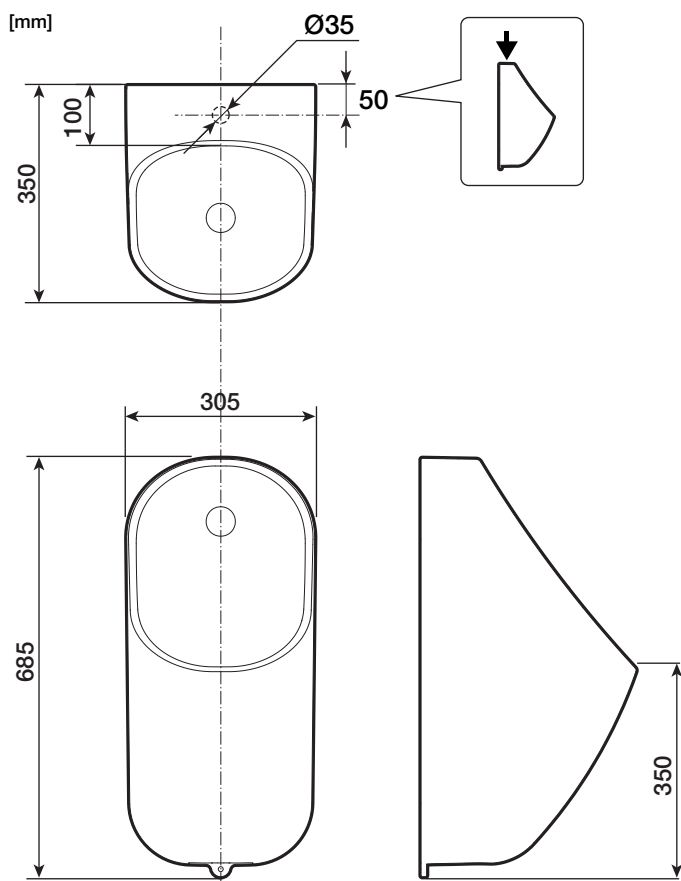


## URINAL SIZE-M

|                                             |                                             |  |
|---------------------------------------------|---------------------------------------------|--|
| <b>A3590J4000</b><br><b>A3590J400C (CN)</b> | <b>A3590J5000</b><br><b>A3590J500C (CN)</b> |  |
|---------------------------------------------|---------------------------------------------|--|

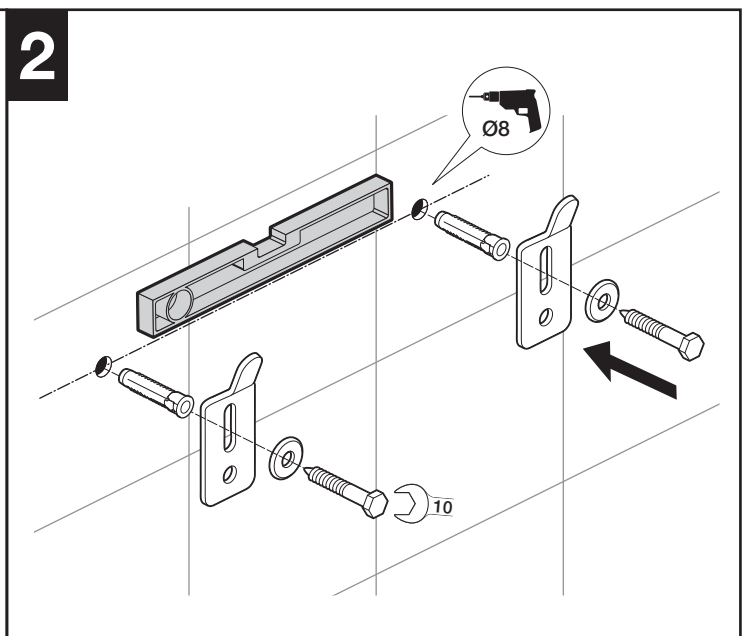
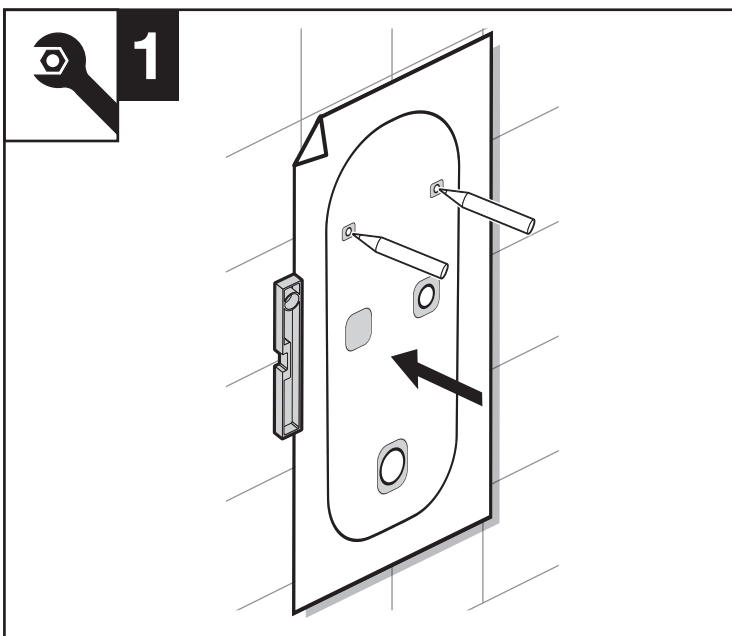
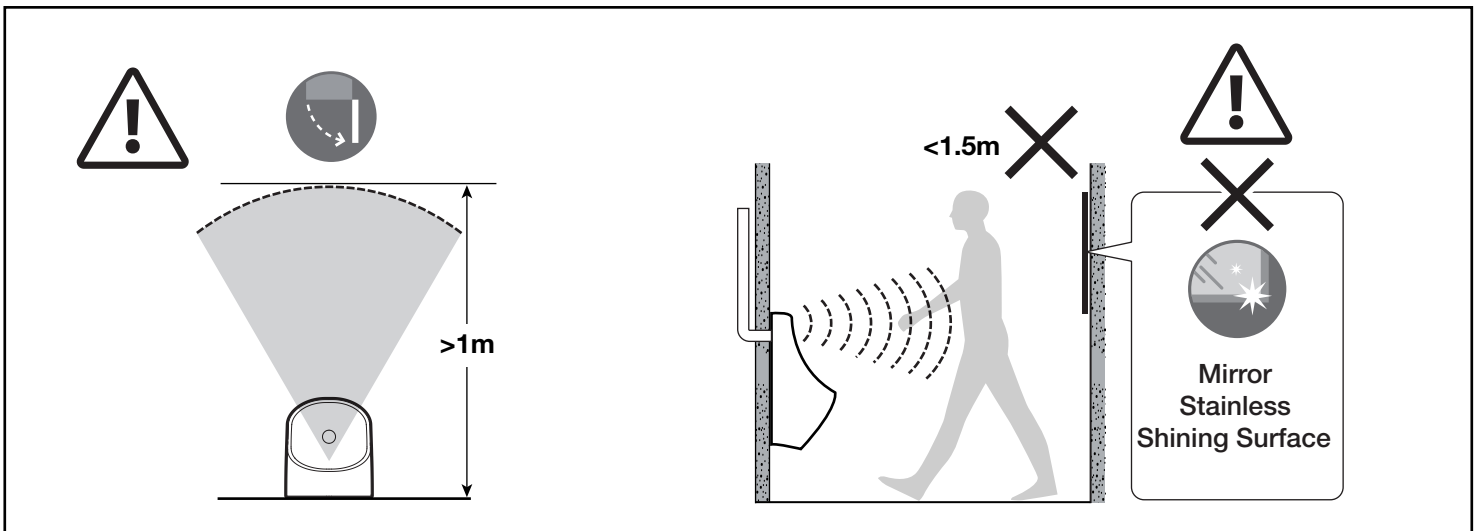
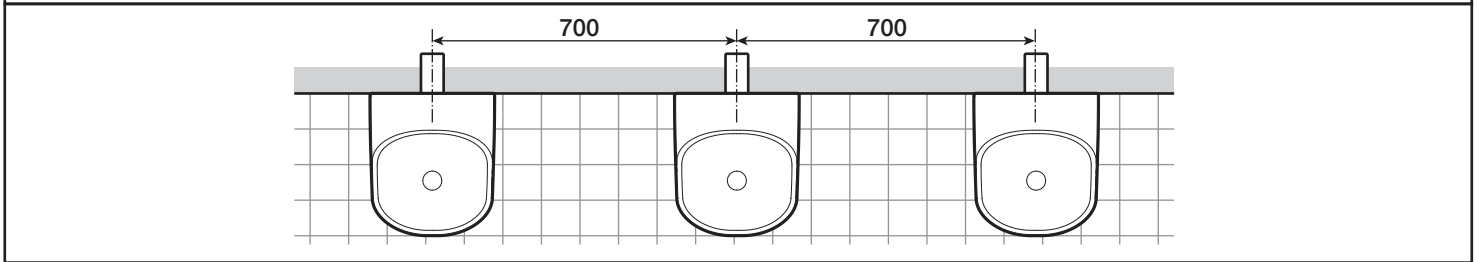
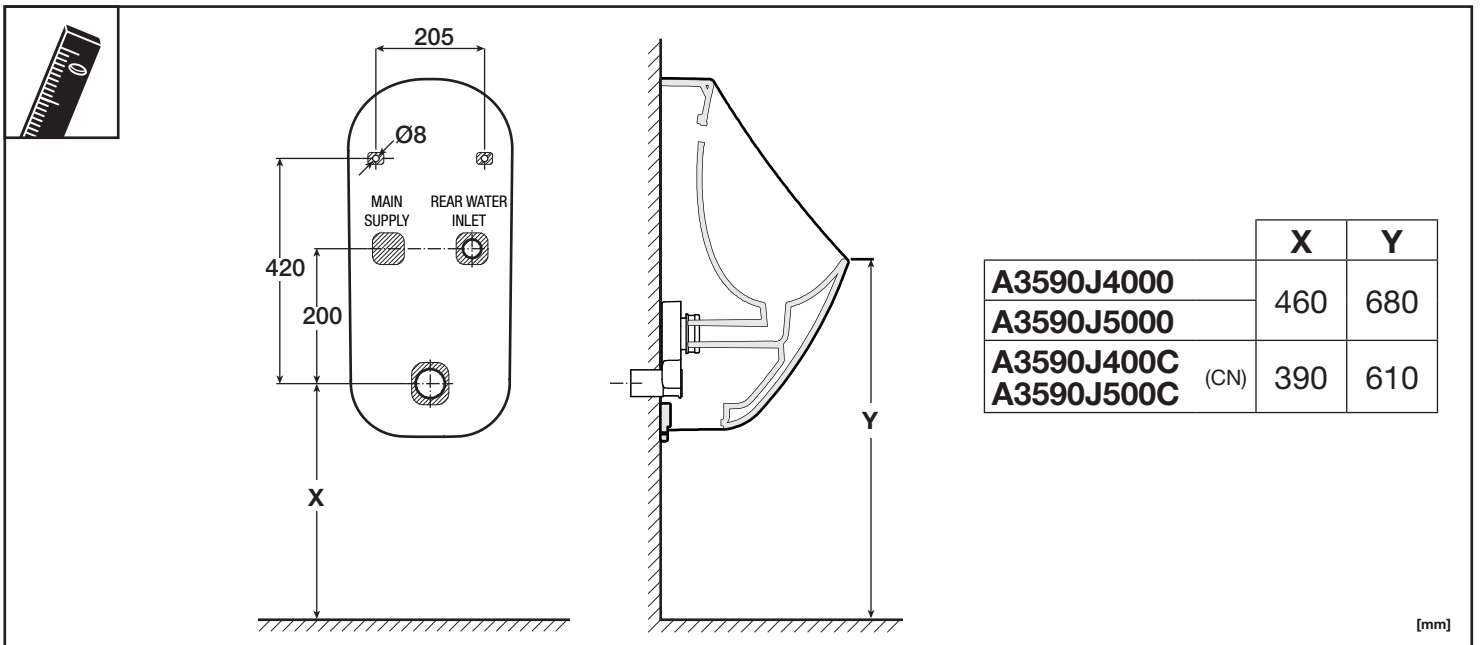
  

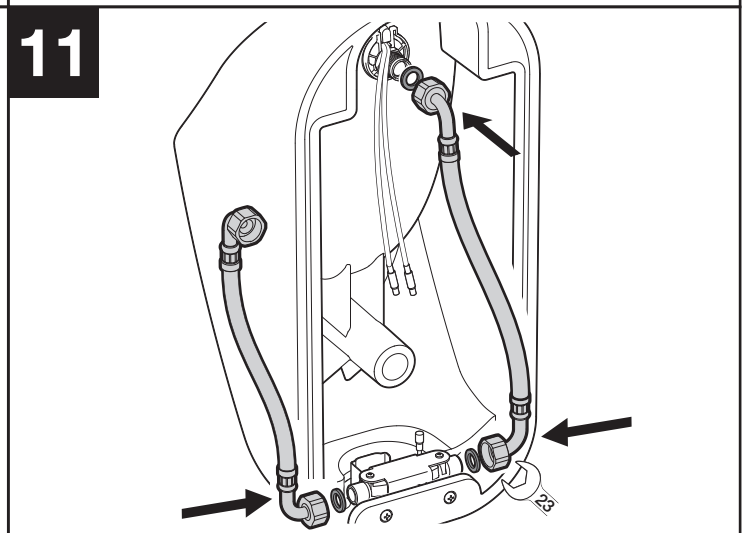
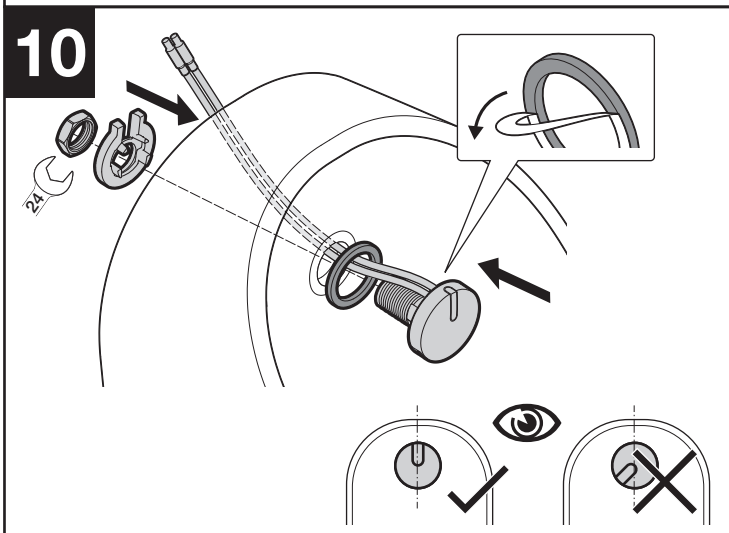
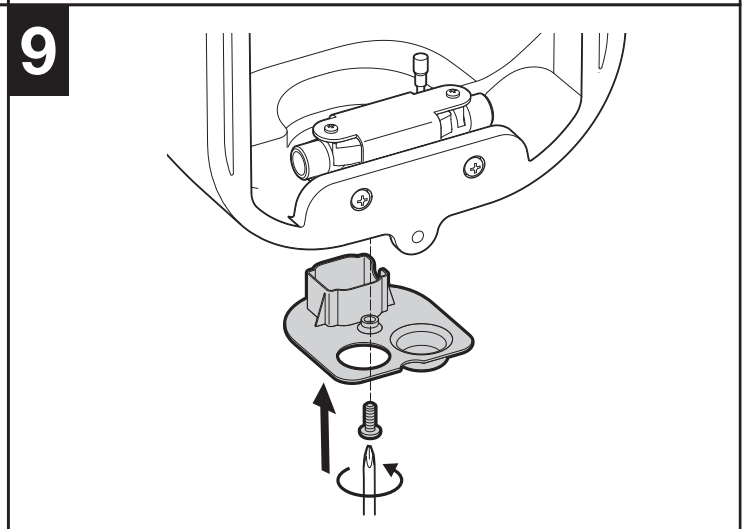
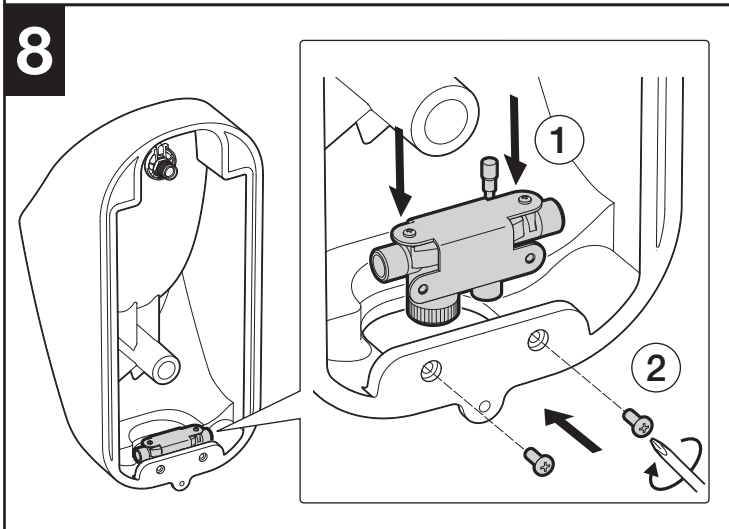
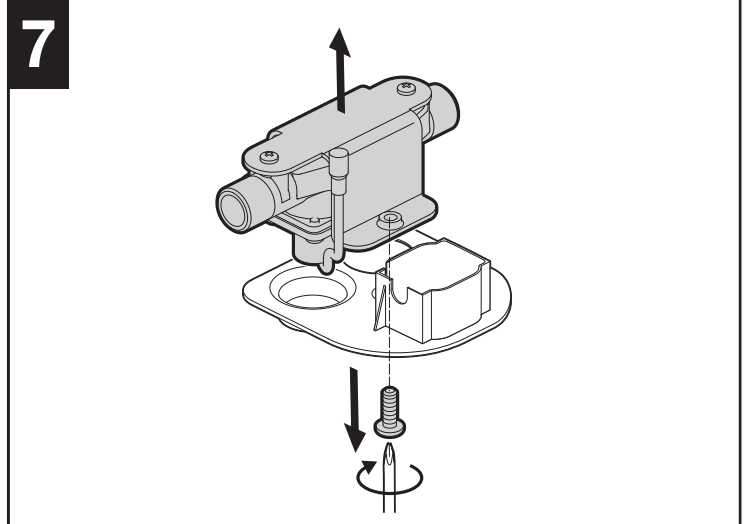
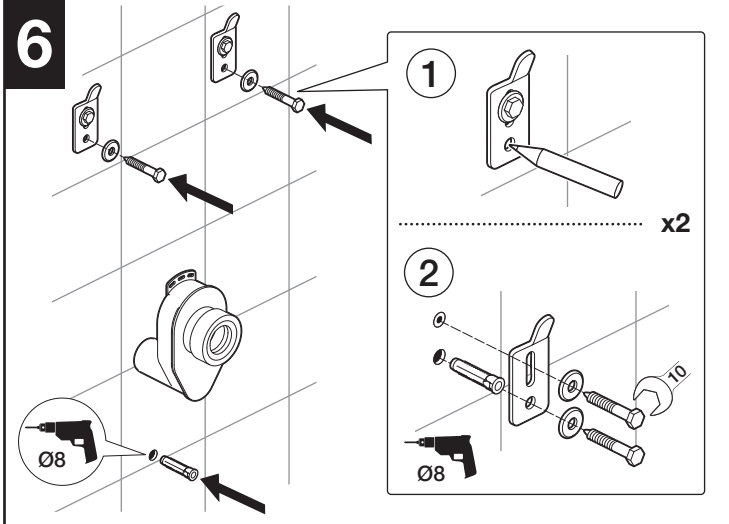
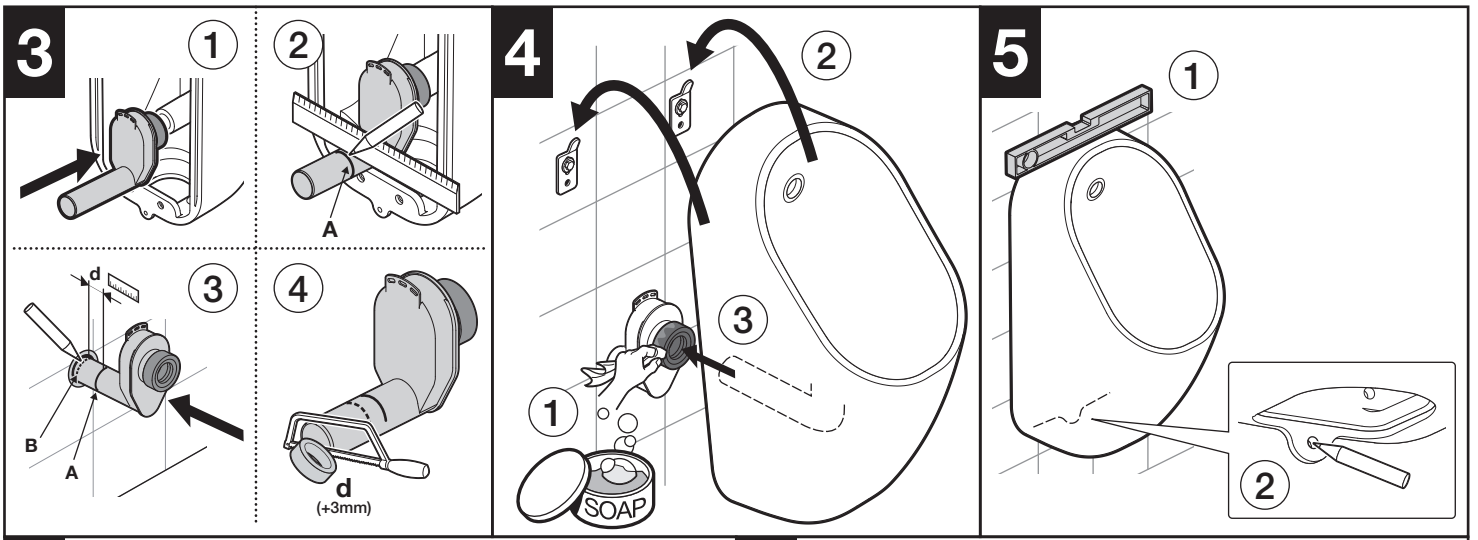
|    |                      |  |
|----|----------------------|--|
| 1  | - AV0053500R         |  |
| 1  | - AV0053600R         |  |
| 2  | - AV0049700R         |  |
| 3  | - AV0053900R (600mm) |  |
| 3  | - AV0053800R (400mm) |  |
| 4  | - AV0029200R         |  |
| 5  | - AV0054300R         |  |
| 6  | - AV0053700R         |  |
| 7  | - AV0054100R         |  |
| 7  | - AG0089100R         |  |
| 8  | - AV0054200R         |  |
| 9  | - AV0054400R         |  |
| 10 | - AV0054500R         |  |
| 11 | - AG0102703R         |  |
| 12 | - AG0102803R         |  |
| 13 | - AG0093107R         |  |



[mm]

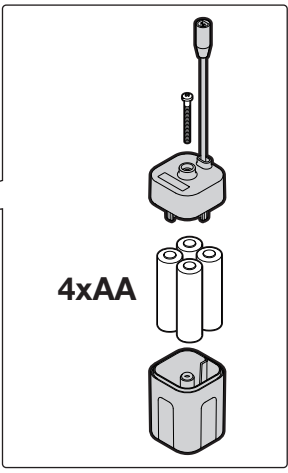
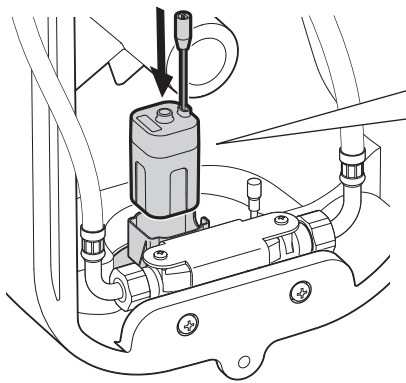
**A890094100**



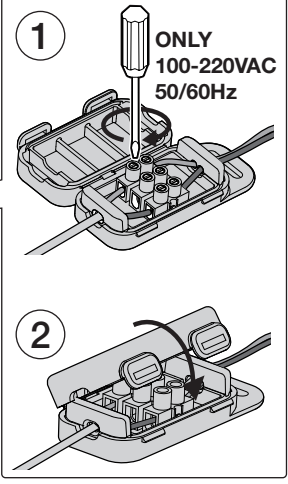
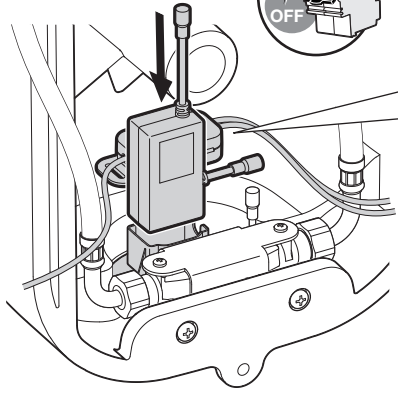


11

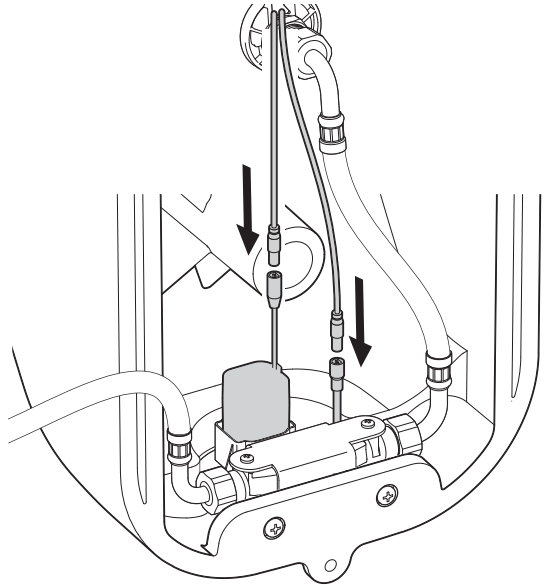
A3590J4000  
A3590J400C (CN)



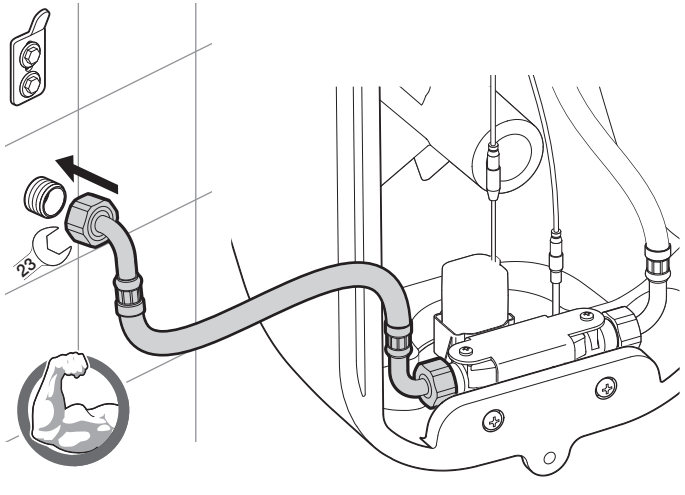
A3590J5000  
A3590J500C (CN)



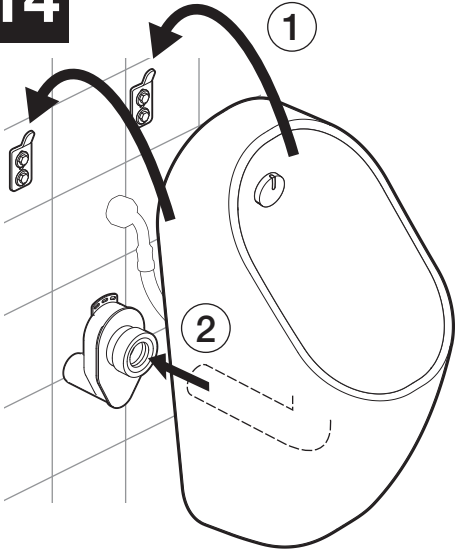
12



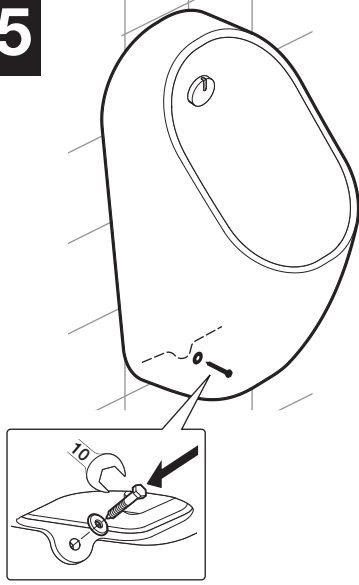
13



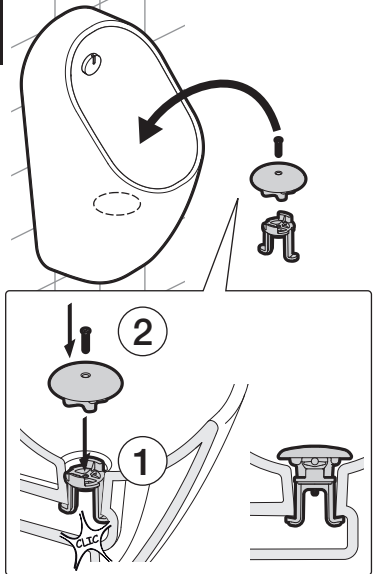
14



15



16



Roca Sanitario, S.A.  
Avda. Diagonal, 513  
08029 Barcelona  
SPAIN  
www.roca.com

933 LÍNEA DE ATENCIÓN  
661 AL CONSUMIDOR  
266 ESPAÑA  
SERVICIO TÉCNICO  
ESPAÑA



productsupport.rs@roca.net  
soporteproducto.rs@roca.net

A392502820a